

ACCESSORY SETUP INSTRUCTION

EXTENDED FENDER ASSY -- PN 9DQV-803100-3000

VALID FOR: MY2022 CF400AU-3S/L & MY2022 CF500AU-3S/L


BEFORE YOU BEGIN: Read and understand the instructions before starting any work. Make sure that all parts are ready and that you have all the tools required for assembly.


NOTE: CFMOTO shall not be liable for any damage caused by incorrect assembly. CFMOTO recommends that all original accessories be assembled by an authorized CFMOTO dealer.

Before assembly, park the vehicle on a flat surface, put the transmission gear into Park (P) and turn off the key switch.

Zhejiang CFMOTO Power Co., Ltd. All rights reserved. Reproduction of this document, even in part, as well as copying of all kinds, is permitted only with the express written permission of the copyright owner.

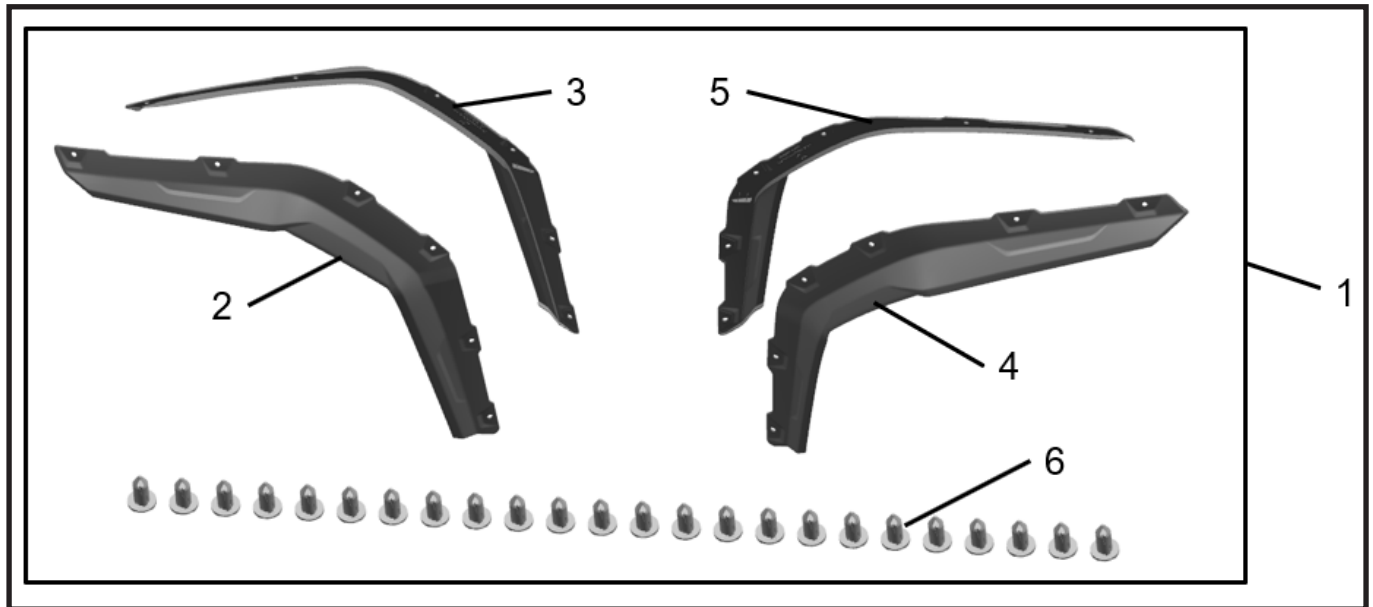
MEANING OF SYMBOLS

 - Indicates information with more details or tips.

 - Indicates information of warning or danger.

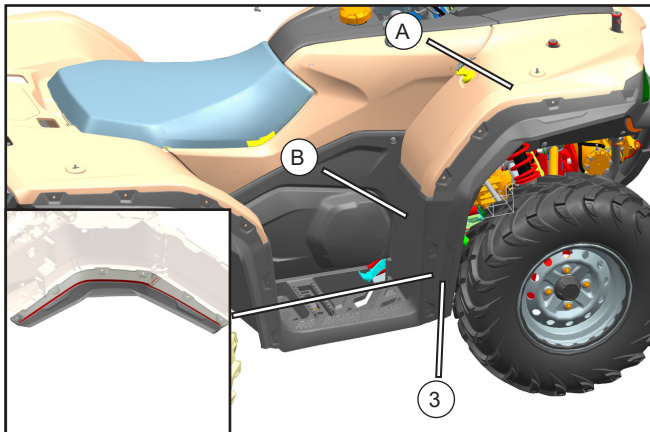
PARTS LIST:

ITEM	PART NAME	PART NUMBER	QTY.	REMARK
1	EXTENDED FENDER ASSY	9DQV-803100-3000	1	Picture is for structure reference only.
2	LH FRONT EXTENDED FENDER ASSY	9DQV-803101-3000	1	
3	RH FRONT EXTENDED FENDER ASSY	9DQV-803102-3000	1	
4	LH REAR EXTENDED FENDER ASSY	9DQV-803103-3000	1	
5	RH REAR EXTENDED FENDER ASSY	9DQV-803104-3000	1	
6	PLASTIC CLIPS	9060-040310	24	

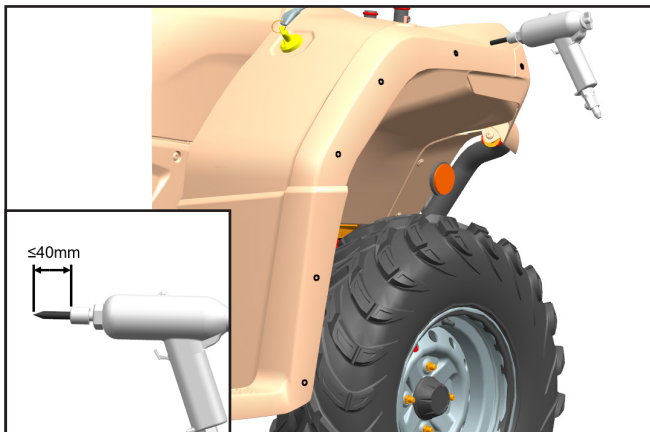


TOOL LIST:

ITEM	DESCRIPTION	QTY.	REMARK
1	PROTECTIVE GLOVES	1	Recommended tools The length of the drill bit can not exceed 40mm.
2	MARKER	1	
3	ELECTRIC DRILL	1	
4	8.5mm DRILL BIT	1	

ASSEMBLY and INSTALLATION


// Align the two red parts of the right front extended fender (3) to the front fender (A) and the right foot pedal (B) as shown in the inset image, then mark the 6 holes on the right front extended fender with a marker.

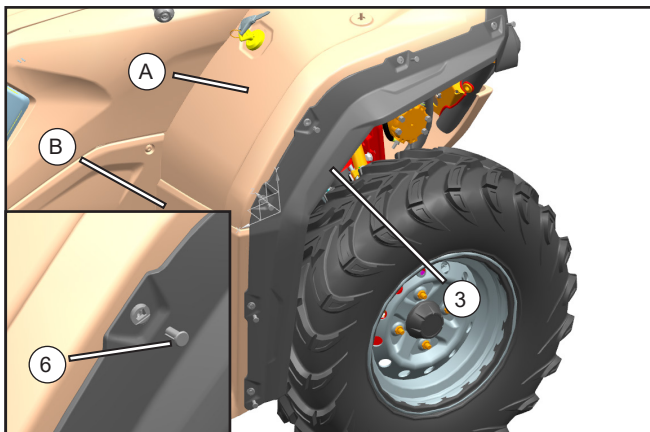


// Use the electric drill to drill the marked 6 holes in turn.

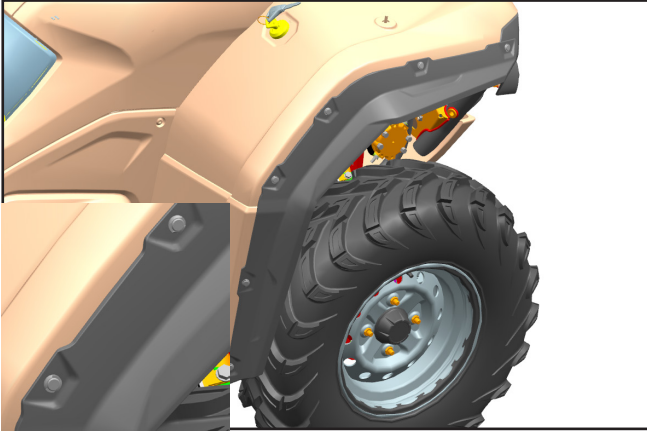
i The length of the drill bit cannot exceed 40mm.



// This picture shows the state after drilling.



// Secure the right front extended fender (3) with plastic clips (6).

ASSEMBLY and INSTALLATION

// This picture shows the assembled state of the right front extended fender.



// The left front extended fender (2), left rear extended fender (4), and right rear extended fender (5) are assembled in the same way.